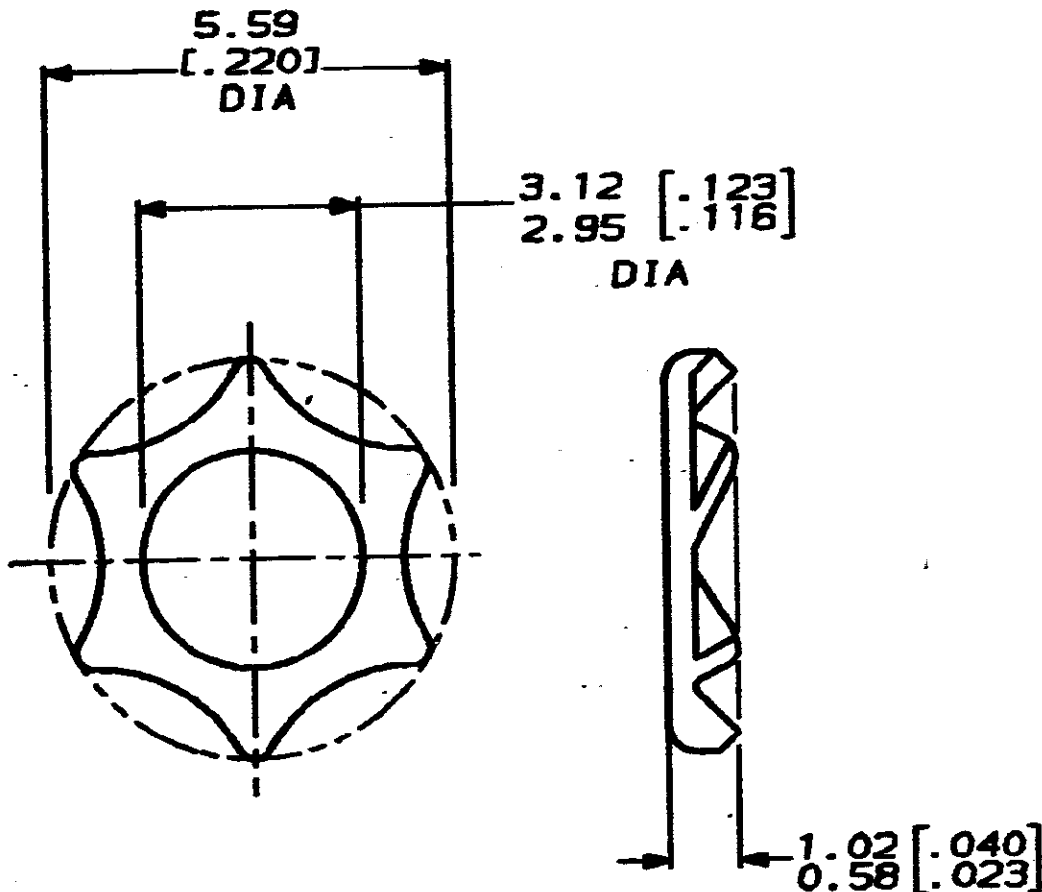


DRAWING MADE IN THIRD ANGLE PROJECTION

REV	LOC	DIST	REVISIONS				DATE	APPROVED
4	BD	39	P	F	LTR	DESCRIPTION		
					B	REV ECN BD4143 REDRAWN ON CAD	07/24/90	S.E.
					C	REV PER ECN BD4766	08/06/91	-



THIS DRAWING IS UNPUBLISHED. RELEASED FOR PUBLICATION BY AMP INCORPORATED. ALL INTERNATIONAL RIGHTS RESERVED. COPYRIGHT 19

METRIC

200503-1

PART NO

DO NOT SCALE PRINT.
 UNLESS SPECIFIED
 DIMENSIONS IN mm (IN)
 TOLERANCES ON:
 Ø FLC DEC ± 0.13 (.005)
 Ø FLC DEC ± -
 ANGLES ± -
 MATERIAL
STAINLESS STEEL
PER QQ-S-766
 FINISH
PASSIVATED

DR 07/24/90
 R. SUREY
 CHK 8-14-90
 R. STONE
 APPD 8-14-90
 A. BOLLIGNE
 APPD -
 PRODUCT SPEC
 -
 APPLICATION SPEC
 -
 WEIGHT -

AMP AMP Incorporated
 Harrisburg, PA 17105-3608

NAME
**LOCK WASHER, EXTERNAL,
 NARROW-RIM, M SERIES**
 SIZE **A** CAGE CODE **00779** DRAWING NO **200503**
 SCALE **10:1** SHEET **1 of 1**